

1

2

3

4

5

6

A

B

C

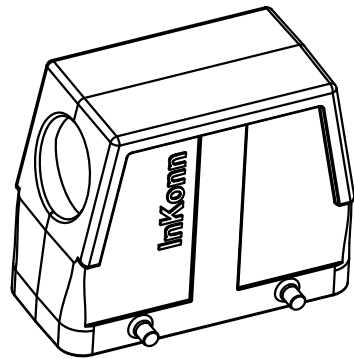
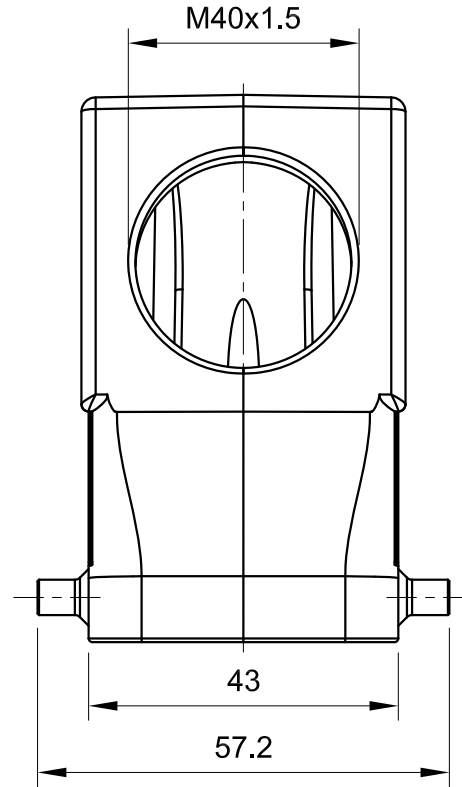
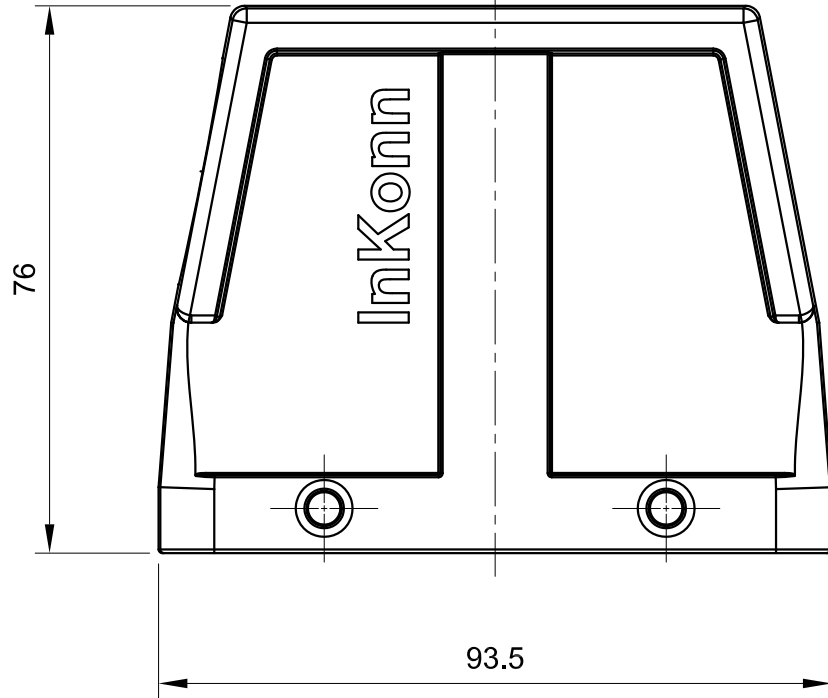
D



A

B

C

D



 All Dimensions in mm Original Size DIN A4	Date 2020-07-10	Drawing No. TC8107173	Rev. A00	Scale 1:1
	 InKonn® InKonn (Suzhou) Electric Technology Co.,Ltd.	Part No. 10 11 016 1144	Created by Shuxu Huang	Checked by Yiyi Luo
Type Name HB16-HSE-QB-M40				

1

2

3

4

5

6